

Tail Screening ModuScreen™ TC



We accept the challenge!

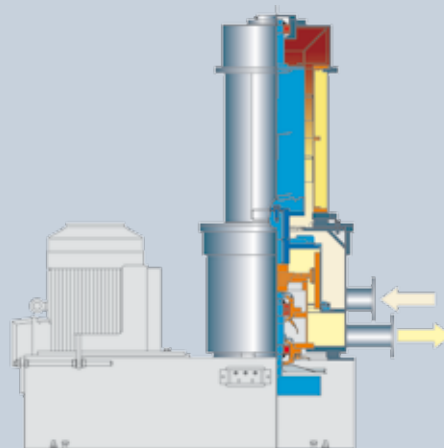
ANDRITZ

ModuScreen™ TC

Final Screening Stage for Maximum Fiber Recovery

Benefits

- ▶ *Insensitive to stringing tendencies*
- ▶ *Minimum fiber content in rejects*
- ▶ *Simple process with well-controlled reject flow*
- ▶ *High reject dryness - up to 30%*
- ▶ *Inlet consistency up to 3%*
- ▶ *Continuous operation*
- ▶ *High throughput rate*
- ▶ *High deflaking potential when needed*
- ▶ *Extremely flexible for handling a wide range of screening applications*



For different applications

The ModuScreen™ TC can be used for medium-consistency screening in recycled fiber systems in different applications:

- as tailing screen in the coarse screening section
- as single screen in low production lines
- as intermediate screen for deflaking in the fine screening section

ModuScreen™	T2C	T4C
P _i [kW]	55	90
p _{inlet} [bar]	0.8 - 1.2	
P _i [HP]	75	125
p _{inlet} [psig]	12 - 17	
Length [mm]	1950	2305
Length [inch]	77	94
Width [mm]	1030	1240
Width [inch]	41	49
Height [mm]	2255	3005
Height [inch]	89	118

*All motor sizes are for information only and will be customized depending on the application; heights including standard foundation and grouting.



Fiber Preparation Systems

www.andritz.com

Andritz AG, Graz, Austria
Tel. +43 316 6902-0

Andritz Technologies Ltd., Foshan, Guangdong, China
Tel. +86 757 8296 9222

fiberprep@andritz.com

Andritz Oy, Kotka, Finland
Tel. +358 20 450 5555

Andritz K.K., Tokyo, Japan
Tel. +81 3 5634 3450

pf.tc.02.e.03.2007

Andritz Inc., Glens Falls, NY, USA
Tel. +1 518 793 5111

Andritz Pilão Ltda., São Paulo, Brazil
Tel. +55 11 3049 8001

ANDRITZ

All data, information, statements, photographs and graphic illustrations made in this leaflet are without any obligation and raise no liabilities to or form part of any sales contracts of Andritz AG or any affiliates for equipment and/or systems referred to herein.
© Andritz AG 2007. All rights reserved. No part of this copyrighted work may be reproduced, modified or distributed in any form or by any means, or stored in any database or retrieval system, without the prior written permission of Andritz AG or its affiliates. Any such unauthorized use for any purpose is a violation of the relevant copyright laws.